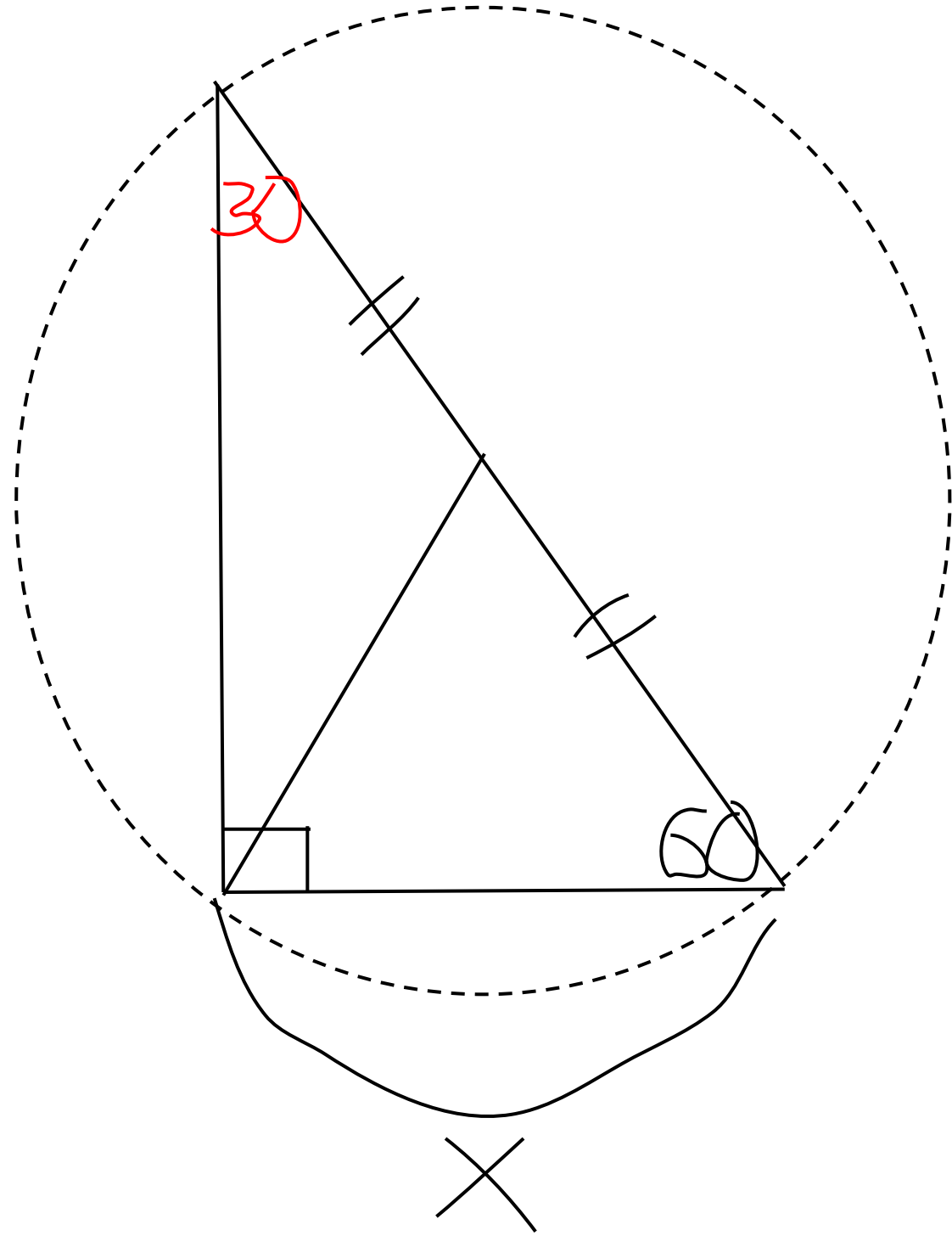
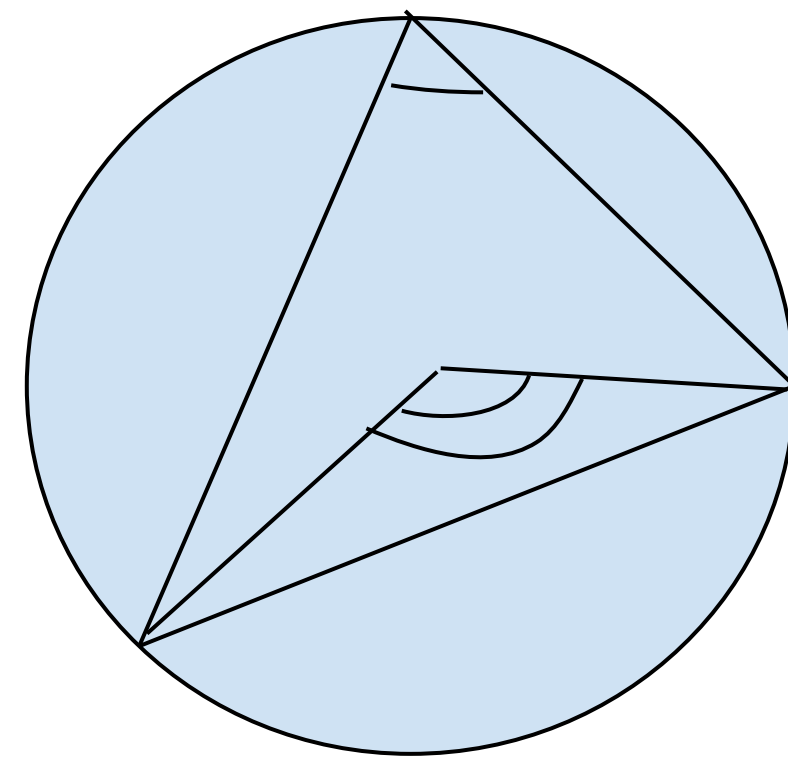


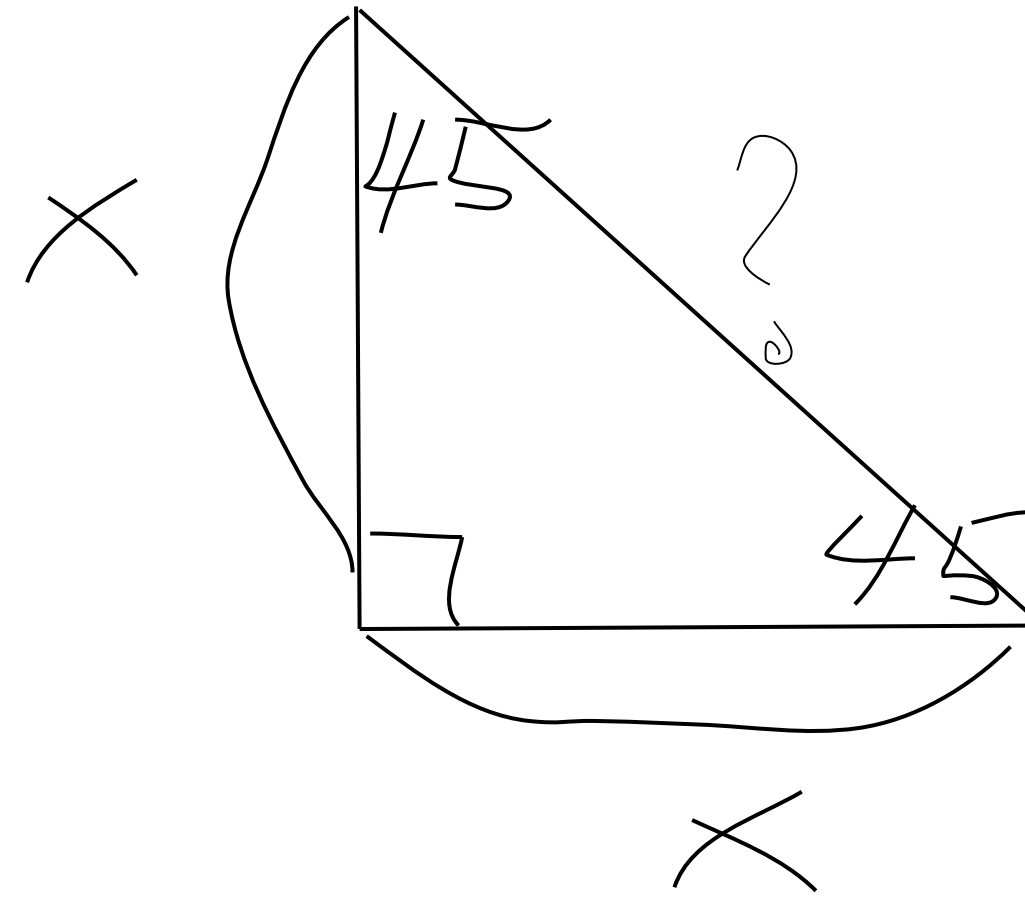
0,30,45,60,90
18,36,72



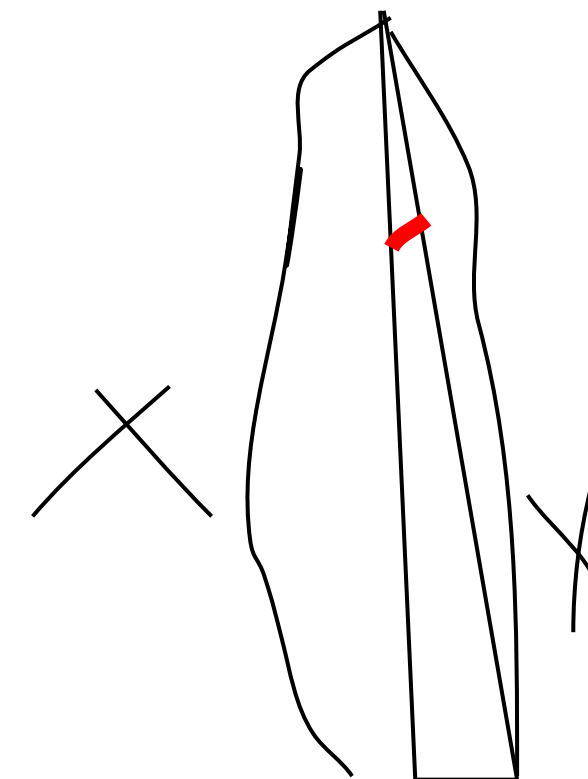
2-ой катет=?

$$\sin 30 = ? = \cos 60$$

$$\cos 30 = ? = \sin 60$$



$$\sin 45 = ? = \cos 45$$



$$\sin 0 = ? = \cos 90$$

$$\cos 0 = ? = \sin 90$$